

XLED PRO Expanse

without motion detector - anthracite
 EAN 4007841 091224
 Article number 091224



LED

3000 K



IP54



IK03



networkable via cable



energy saving

5 years

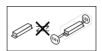
manufacturer's warranty steinel.de/ garantie



CE



Light source not exchangeable



Control gear not exchangeable

30 years (0 4,5h / day)

3000K warm-white

Function description

Panoramic light right into every corner. The XLED PRO Expanse LED spotlight illuminates even the most hidden corners. With three powerful light surfaces, it offers wide-angle panoramic illumination that bathes even hard-to-reach areas in bright light. With 13,6 W and 1642 lm, the XLED PRO Expanse delivers powerful, warm light (3000 K) that perfectly illuminates the surroundings. Whether above, below, to the right or to the left – the spotlight can be fully rotated, tilted and locked, and can therefore be adjusted to suit individual needs. Thanks to its IP54 rating and robust IK03 construction, it is also highly resistant and comes with a 5-year warranty. Available in anthracite and white, as well as a version with a motion detector. Corner wall brackets are available as an optional extra.

Technical specifications

Dimensions (L x W x H)	195 x 195 x 174 mm	Mains power supply	220 – 240 V / 50 – 60 Hz
With lamp	Yes, LED lamp	Luminous flux total product	1642 lm
Manufacturer's Warranty	5 years	Measured luminous flux (360°)	1642 lm
Version	without motion detector - anthracite	Total product efficiency	121 lm/W
PU1, EAN	4007841091224	Colour temperature	3000 K
Application, place	Outdoors	Service life LED L70B50 (25°)	> 60000 h
Application, room	garden, front door, courtyard & driveway, warehouse, all round the building, sports hall, terrace / balcony	Soft light start	No
Colour	Anthracite	Basic light level function	No
Includes corner wall mount	No	Interconnection	Yes
Installation site	wall	Type of interconnection	Sensor/slave
Installation	Surface wiring, Wall	Interconnection via	Cable
Impact resistance	IK03	Output	13,6 W
IP-rating	IP54	R9-Farb wiedergabeindex	18
Protection class	II	Product category	LED floodlight without sensor
		Energy efficiency class of light source	E

LED floodlight without sensor - Professional Line

XLED PRO Expanse

without motion detector - anthracite
EAN 4007841 091224
Article number 091224



Technical specifications

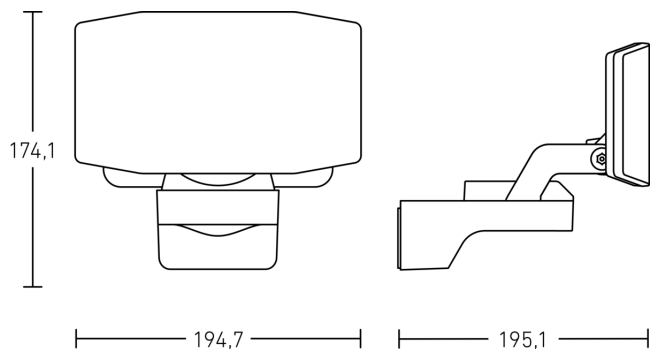
Ambient temperature	from -20 up to 40 °C
Housing material	Polycarbonate

Accessories

EAN 4007841 053086

Corner wall mount XLED Home 2/ Protect/ Pro 240/ PRO Expanse
graphite

Dimension Drawing



Master/slave interconnection circuit diagram

